

DYDEN CORPORATION

ELECTRIC WIRES
& CABLES PRODUCTS

DATE Dec, 10, 2015

SPEC. No.FSC15-660

SPECIFICATION

FOR

CROSS-LINKED POLYETHYLENE (XLPE) INSULATED
AND PVC JACKETED CABLE WITH SHIELD

(RMCV-SB-Kr (2464))

RoHS correspondence



signed by *K. Nishimura*
K. NISHIMURA

Manager
Engineering section
Engineering dept
Factory Automation & Robot Cable Division

1. SCOPE

This specification covers the construction, characteristics of the Cross-Linked Polyethylene(XLPE) insulated and PVC jacketed cable with shield .

2. SYMBOL, SIZE

The symbol and size of the cable shall be

“ RMCV-SB-Kr(2464) AWG23/4P ”
(0.3mm²/4P)

3. UL STANDARD

RECONGNIZED by UNDERWRITERS LABORATORIES Inc.

STYLE No.	2464 (UL 758 : AWM)
Rating TEMP.	80°C
VOLT.	300V
USE	Internal wiring or external interconnection of electronic equipment

4. FLAME TESTING

The cable shall pass the vertical wire flame test (VW-1) described in UL1581, Paragraph 1080.

5. CONSTRUCTION

The construction of the cable shall conform to Table 1.

6. CHARACTERISTICS

The characteristics of the cable shall be shown in Table 2.

7. MARKING

The following information shall be indicated with a suitable method to the cable.

“ —DYDEN E91337  AWM 2464 80C 300V VW-1 -LF- RMCV-SB-Kr AWG23/4P — ”

* * * * *

Table 1 Construction

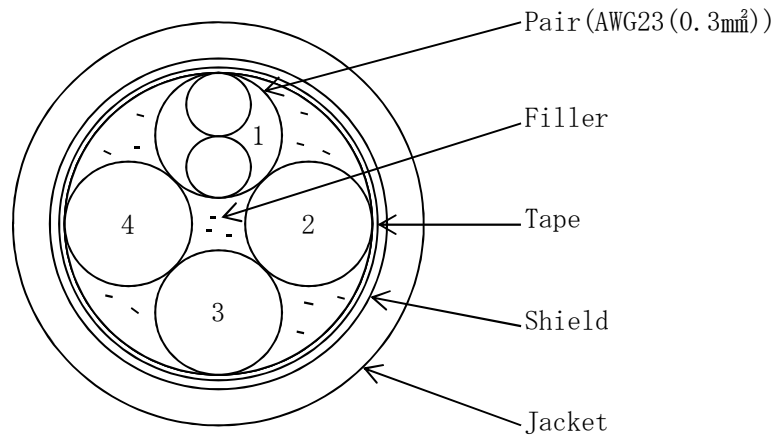
I T E M		V A L U E
Symbol		RMCV-SB-Kr (2464)
Size	AWG (mm ²)	23 (0.3)
Conductor	Material	Annealed Copper
	Construction (No./mm)	3/20/0.08
	Dia. (approx. mm)	0.89
Insulation	Material	XLPE
	Thickness (approx. mm)	0.20
	Dia. (approx. mm)	1.29
Twisting	Dia. (approx. mm)	2.6
Stranding	Center layer	4 P
Tape	—	Binder tape
Shield (Braid)	Material	Tinned Annealed Copper
	Thickness (approx. mm)	0.3
Jacket	Material (color)	Flame retardant • Oil resistant PVC (Black)
	Thickness (approx. mm)	1.0
Overall diameter (approx. mm)		8.2
Approx. mass (kg/km)		85

Table 2 Characteristics (at 20°C)

I T E M	S T A N D A R D V A L U E
Max. DC resistance of conductor (Ω /km)	67.9
Min. insulation resistance ($M\Omega$ -km)	100
Dielectric strength (V/min)	AC 2000

F i g 1

C r o s s - S e c t i o n o f C a b l e



PairNo.	Colors
1	Yellow×White
2	Red×Blue
3	Green×Orange
4	Gray×Black

NOT TO SCALE